

VUD: Flanged through valve, PN 6

How energy efficiency is improved

Efficient use in continuous controls.

Areas of application

Continuous control of cold/hot water and air in closed networks¹⁾ and flow temperature control in heating systems. Water quality as per VDI 2035. Assembly with AVP 242 to AVP 244 actuators as a regulating unit.

Features

- Nominal pressure 6 bar
- Control valve contains no silicone grease; painted black
- Nominal diameters DN15 to DN100
- Equal-percentage characteristic
- With the spindle retracted, the valve is closed
- Closes against the pressure DN15 to DN100 or with the pressure DN15 to DN50

Technical description

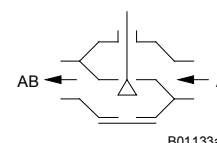
- Valve with flange connection as per EN 1092-2, Form B raised face
- Valve body and seat in cast iron
- Stainless steel spindle
- Brass plug in nominal diameters DN15 to DN50, with glass-fibre-reinforced PTFE sealing ring
- Brass plug in nominal diameters DN65 to DN100, metal-on-metal seal
- Stuffing box made of brass with EPDM wiper ring and double O-ring seal



T110983



Y07544



B01133a

Type	Nominal diameter		Connection	k _{VS} value	Weight
	DN	PN			
VUD 015 F320	15	6		1.6	3.2
VUD 015 F310	15	6		2.5	3.2
VUD 015 F300	15	6		4.0	3.2
VUD 020 F300	25	6		6.3	4.1
VUD 025 F300	25	6		10	4.7
VUD 032 F300	32	6		16	7.3
VUD 040 F300	40	6		22	8.6
VUD 050 F300	50	6		28	11.2
VUD 050 F200	50	6		40	11.2
VUD 065 F300	65	6		49	11.9
VUD 065 F200	65	6		63	11.9
VUD 080 F300	80	6		78	17.7
VUD 080 F200	80	6		100	17.7
VUD 100 F300	100	6		124	26.0
VUD 100 F200	100	6		160	26.0

Operating temperature	-10...150 °C ²⁾	Stuffing box	2 O-rings, EPDM
Operating pressure	6 bar	Leakage rate at max. Δp _s	≤ 0.05% of k _{vs} value
Valve characteristic	F200 linear	Valve stroke DN 15...50	8 mm
	F300 equal-percentage	DN 65...80	20 mm
Valve control ratio	> 50:1	DN 100	40 mm

Accessories

- 0372240 001*** Manual adjuster for valves with 8 mm stroke; MV 505813
- 0372249 001*** Adaptor required when temperature of medium >100 °C up to 130 °C (recommended at temperatures of < 10 °C) from DN 15 to DN 50, MV 505932
- 0372249 002*** Adaptor required when temperature of medium >130 °C up to 150 °C, from DN 15 to DN 50, MV 505932
- 0372336 180** Adaptor required when temperature of medium. >130 °C / >150 °C from DN 65, MV 505902
- 0378284 100*** Stuffing box heater, 230 V~; 15 W, for media below 0 °C, DN 15...150, MV 505978
- 0378284 102*** Stuffing box heater, 24 V~; 15 W, for media below 0 °C, DN 15...150, MV 505978
- 0378368 001** Complete replacement stuffing box for DN 15 to DN 50
- 0378369 001** Complete replacement stuffing box for DN 65 to DN 100

*) Dimension drawing or wiring diagram available under the same number

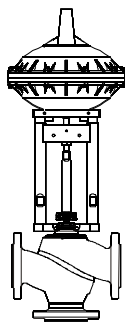
1) Air humidity must not exceed 75%

2) At temperatures below 0 °C, use the stuffing box heater; at temperatures above 100 °C, use the temperature adaptor (accessory).

Dimension drawing		Fitting instructions	
DN 15...50	M10470	Assembly	AVP 242 F001 MV 506041
DN 65...100	M10438	Assembly	AVP 242 F021 MV 506012
Fitting instructions		Assembly	AVP 243 / 244 MV 506013
Valve DN 15...50	MV 506008	Material declaration	MD 76.110
Valve DN 65...100	MV 505964		

Warranty The technical data and pressure differences indicated here are applicable only in combination with Sauter actuators. Any warranty shall lapse if actuators from other manufacturers are used.

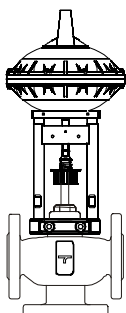
Combination of VUD, PN 6 with pneumatic drive AVP 242



B10680

Drive	AVP 242 F001		
Perm. press. p _{stat}	≤ 6 bar		
Running time ¹⁾	8 s		
Stroke	8 mm		
Valve	Δp _{max}	Δp _s	
VUD 015	6.0	6.0	
VUD 020	6.0	6.0	
VUD 025	6.0	6.0	
VUD 032	6.0	6.0	
VUD 040	4.0	4.0	
VUD 050	2.5	2.5	

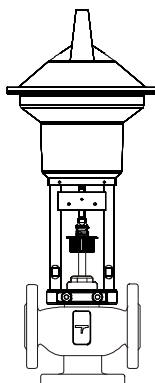
For temperatures above 100 °C, accessories are required



B10681

Drive	AVP 242 F021		
Perm. press. p _{stat}	≤ 6 bar		
Running time ¹⁾	8 s		
Stroke	20 mm		
Valve	Δp _{max}	Δp _s	
VUD 065	1.5	1.5	
VUD 080	1.0	1.0	

For temperatures above 130 °C, accessories are required



B10682

Combination of VUD, PN 6 with pneumatic drive AVP 243 / 244

Drive	AVP 243 F021		AVP 244 F021	
Perm. press. p _{stat}	≤ 6 bar		≤ 6 bar	
Running time ¹⁾	24 s		40 s	
Stroke	20 mm		20 mm	
Valve	Δp _{max}	Δp _s	Δp _{max}	Δp _s
VUD 065	2.5	2.5	3.0	4.5
VUD 080	1.5	1.5	3.0	3.0

For temperatures above 130 °C, accessories are required

Drive	AVP 243 F031		AVP 244 F031	
Perm. press. p _{stat}	≤ 6 bar		≤ 6 bar	
Running time ¹⁾	24 s		40 s	
Stroke	40 mm		40 mm	
Valve	Δp _{max}	Δp _s	Δp _{max}	Δp _s
VUD 100	1.0	1.0	2.0	2.0

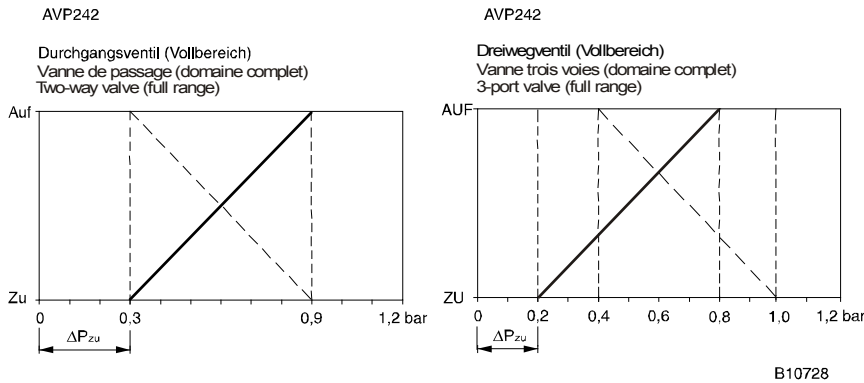
For temperatures above 130 °C, accessories are required

¹⁾ In relation to the Centair air rate (400 l_n/h) and to a pipe with length of 20 m and diameter of 4 mm

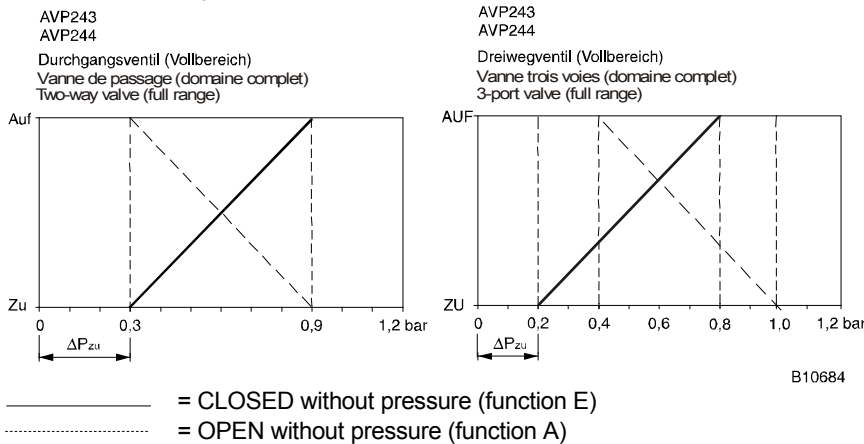
Valve: Variant F, for technical data and accessories see Valve Type Table
 Drive: Variant F, for technical data, accessories and installation position see section 71
 Example: VUD 065 F300 / AVP 243 F031
 Valve is closed when actuator is pressureless = factory setting
 Valve is open when actuator is pressureless = on request

Δp_{max} [bar]= Maximum permitted pressure difference across the valve at which the drive can still reliably open and close the valve, taking account of Δp_v.
 Δp_s [bar]= Maximum permitted pressure difference across the valve in case of a fault (pipe break downstream of the valve) at which the drive can close the valve reliably with 'fast' performance of the stroke.

Pressure-stroke characteristic (with valve fitted)
Characteristic is not adjustable:



Characteristic is adjustable:

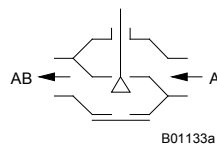


Sequences with XSP31 are possible

Function

The valve can be moved to any intermediate position by means of a pneumatic drive. If the valve stem is extended, the control passage of the valve is closed. The valves must be used only with closure 'against the pressure'. The direction of flow marked on the valve must be observed. Closure with the pressure is not permissible with pneumatic drives, since it would cause pressure surges. The fluidic parameters comply with EN 60534.

Closing against the pressure



Description

The key features of these control valves are their high reliability and precision, and they make a major contribution towards environment-friendly control. They meet demanding requirements including emergency positioning functions, coping with differential pressures, controlling the medium temperature and providing a shut-off function; all this is achieved with a low noise level. An automatic and fixed connection is made between the valve stem and the drive shaft. The plug (which is made of brass) controls an equal-percentage flow in the control passage. The tightness of this valve is guaranteed by the seat which is machined in the body. The stuffing box is maintenance-free; it consists of a brass body, 2 O-rings and a grease reserve. This is free of silicone grease and no silicone oil must be used for the stem. The grease reserve prevents particles that might be present in the medium from reaching the upper O-ring.

Engineering and fitting notes

The drive is placed directly on top of the valve and is fixed with screws. The connection between the drive and the valve stem is made automatically. The closing point must be set as described in the installation instructions (MV 506012 AVP 242 or MV 506013 AVP 243/244).

Installation position

The final control element can be installed in any position, except facing downwards. Condensate and water drips etc. must be prevented from penetrating into the drive. With a horizontal installed position and in relation to the valve stem, the permitted maximum drive (or other) weight is 25 kg unless a support is provided by the customer or others.

When fitting the drive onto the valve, you must make sure that the plug is not rotated on the seat (this would damage the sealing surface). If the valve is insulated, the insulation must only extend as far as the connecting clip of the drive.

Applications with steam

The valves must not be used for applications involving steam.

Applications with water

To ensure that impurities in the water (such as welding beads or particles of rust, etc.) are retained and the stem seal is not damaged, it is advisable to install collective filters, e.g. for each storey or pipe run. Water quality requirements conform to VDI 2035. If an additional medium is used, the compatibility of the materials must be clarified with the manufacturer of the medium. The Material Table shown below can be used for this purpose. If glycol is used, we recommend that a concentration of between 20% and 55% should be selected.

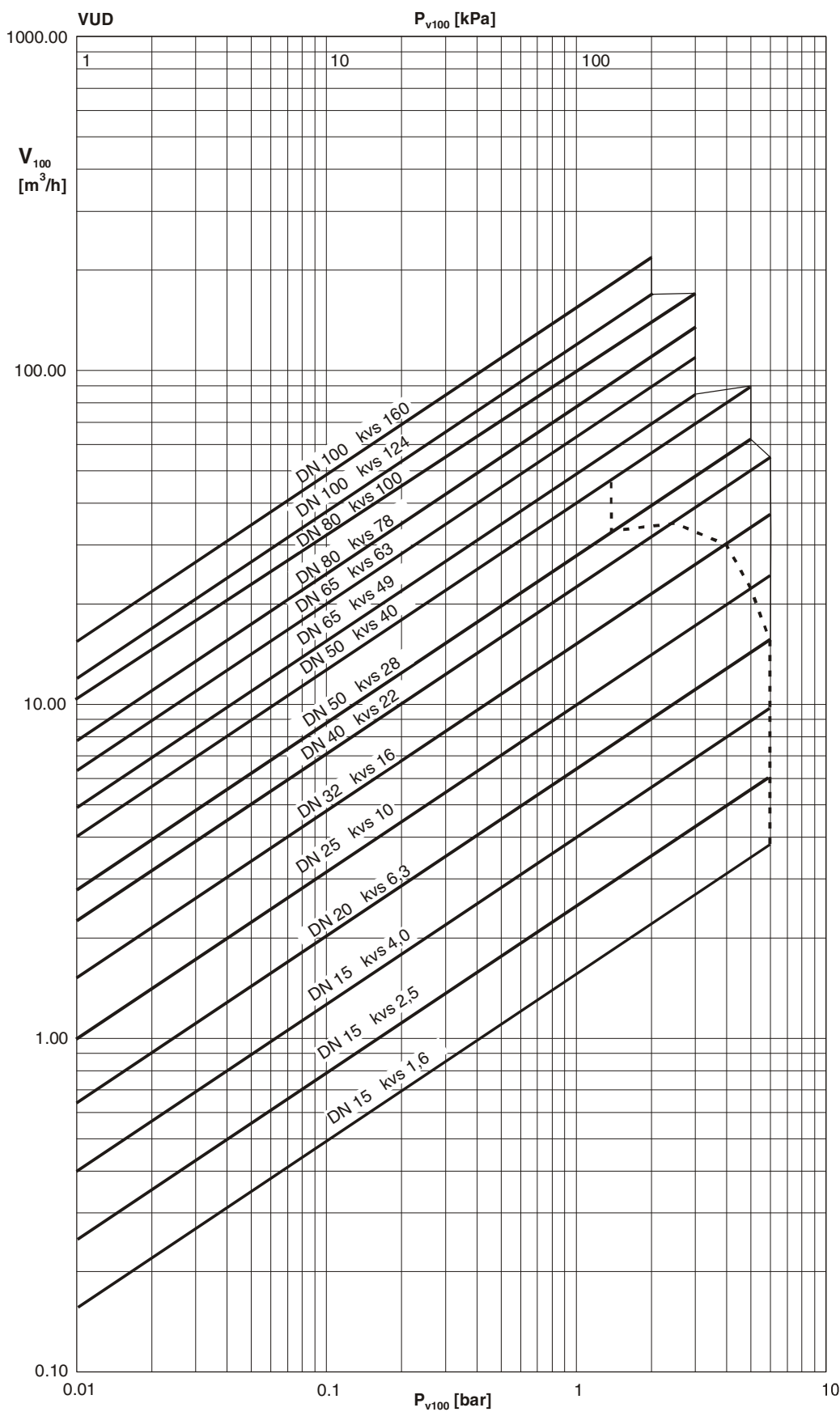
The valves are not suitable for drinking water or in zones where there is a risk of explosions.

Other notes concerning hydraulics and noises in systems

The valves can be used in a low-noise environment. To avoid noises, the pressure differences Δp_{\max} listed below should not be exceeded.

The close/off pressure values which are also listed represent the maximum pressures at which the drive can still use its own force to move the valve. It should be pointed out here that if these pressures are used and the pressure difference Δp_{\max} is exceeded, the valve may sustain damage due to cavitation and erosion. In case of a spring return function, the stated Δp_s values also represent the permitted differential pressure up to which the drive guarantees closure of the valve in case of an incident. As this is a safety function with 'fast' passage through the stroke (by means of the spring), this value may exceed Δp_{\max} .

Pressure loss table



— Δp_v
 de gegen den Druck
 fr contre la pression
 en against the pressure

- - - Δp_v
 de mit dem Druck*
 fr avec la pression*
 en with the pressure*

*
 de Betriebsart nur mit elektrischen Antrieben
 fr Mode de service seulement avec servomoteurs électriques
 en Operation mode with electric actuators only

B11004c

Type	Δp_v against the pressure
VUD 015 F320	6
VUD 015 F310	6
VUD 015 F300	6
VUD 020 F300	6
VUD 025 F300	6
VUD 032 F300	6
VUD 040 F300	6
VUD 050 F...	5
VUD 065 F...	3
VUD 080 F...	3
VUD 100 F...	2

Additional technical data

- Pressure and temperature data
 Parameters related to flow mechanics
 Sauter slide rule for valve sizing
 Manual for slide rule
 Technical manual: 'Regulating Units'
 Parameters, installation notes, control, general

EN 764, EN 1333
 VDI/VDE 2173
 7 090011 001
 7 000129 001
 7 000477 001
 Valid EN, DIN, AD,
 TRD and UVV
 specifications
 /regulations
 97/23/EC
 Article 3.3

- CE conformity, Pressure Equipment Directive (fluid group II)
 VUD 015 to VUD 100: no CE symbol

Additional information

Valve body made of grey cast iron to EN 1563, code EN-GJL-250, material number EN-JL 1040 with smooth drilled flanges to EN 1092-2, form B, sealing strip. Valve body to RAL 9005, dark black. Recommendation for welding-neck flange as per EN 1092-2. Overall valve length to EN 558-1, basic series 1. Flat seal on valve body made of asbestos-free material.

DIN material numbers

	DIN material numbers	DIN material designation
Valve body	EN-JL 1040	EN-GJL-250 (GG25)
Valve seat	EN-JL 1040	EN-GJL-250
Stem	1.4305	X 8 Cr Ni S 18-9
Plug	CW 617 W	CuZn40Pb2
Plug seal	PTFE	
Stuffing box	CW 617 W	CuZn40Pb2
Valve body	EN-JL 1040	EN-GJL-250 (GG25)

Detailed information on pressure difference definitions

Δp_v :

Maximum permissible pressure difference across the valve in any stroke position, limited by the noise level and erosion.

The valve as a traversed element is defined by this parameter specifically in its hydraulic behaviour. By monitoring cavitation, erosion and the noise thus produced, improvements can be achieved in both life expectancy and durability.

Δp_{max} :

Maximum permissible pressure difference across the valve at which the drive can firmly open and close the valve.

Static pressure and fluidic influences are taken into account. This value helps to maintain smooth stroke action and valve sealing. In doing so, the valve's Δp_v value is not exceeded.

Δp_s :

Maximum permissible pressure difference across the valve in the event of a malfunction (e.g. power failure) at which the drive can firmly close the valve and, if necessary, hold the full operating pressure against atmospheric pressure. Since this is a safety function with 'fast' stroke, Δp_s can be larger than Δp_{max} or, respectively, Δp_v . The resultant fluidic disturbances are soon overcome and play a minor role here.

On the three-way valves, the values apply only for the control passage.

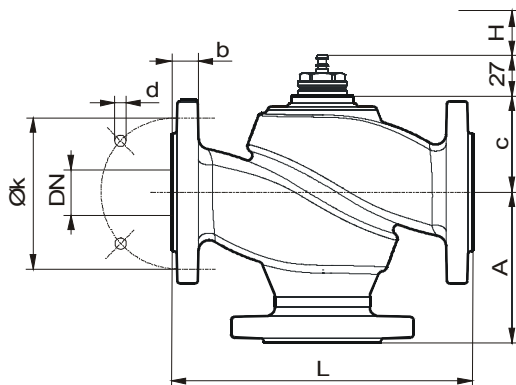
Δp_{stat} :

Line pressure across the valve. This corresponds largely to the dead pressure when the pump is switched off, e.g. due to the level of liquid in the plant, an increase in pressure via the pressure store, steam pressure etc.

On valves that close with the pressure, the static pressure plus the pump pressure should be used.

Dimension drawings

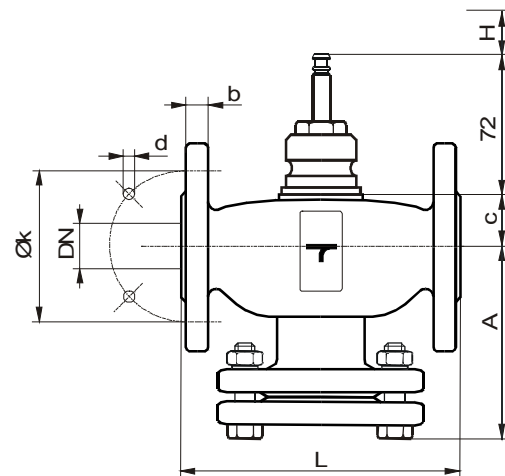
DN 15...50



VUD, BUD	DN	A	c	L	H	k	d	b
015	15	70	41,5	130	8	55	11 x 4	14
020	20	75	48	150	8	65	11 x 4	16
025	25	80	54,5	160	8	75	11 x 4	16
032	32	95	60,5	180	8	90	14 x 4	18
040	40	100	70,5	200	8	100	14 x 4	18
050	50	115	71	230	8	110	14 x 4	20

M10470

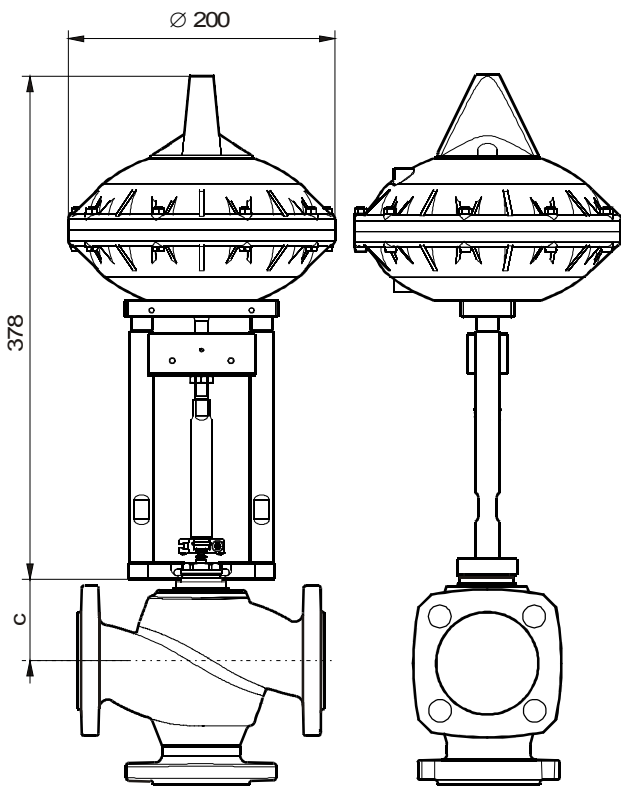
DN65...100



VUD	DN	A	c	L	H	k	d	b
065	65	142	62	240	20	130	14 x 4	16
080	80	156	62	260	20	150	19 x 4	18
100	100	176	93	300	40	170	19 x 4	18

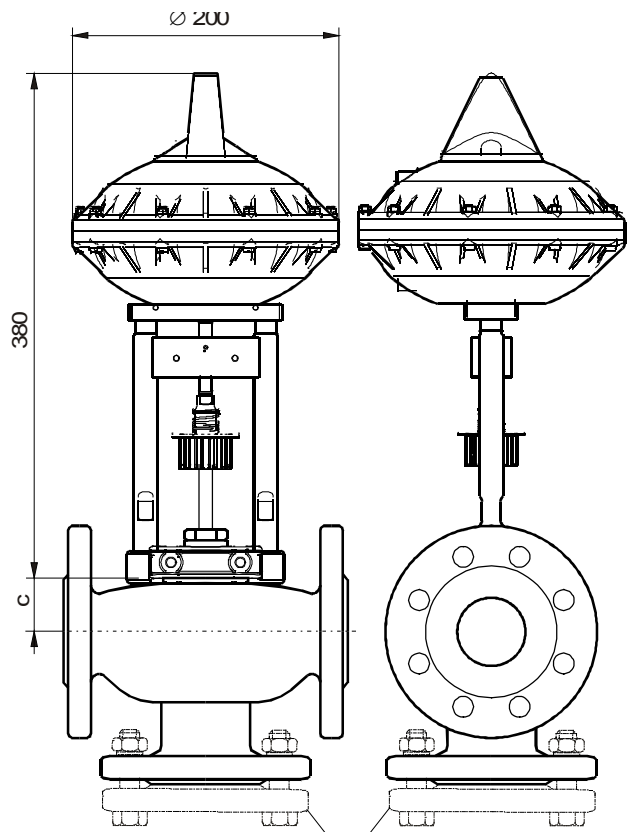
M10438c

AVP 242 F001



K10433b

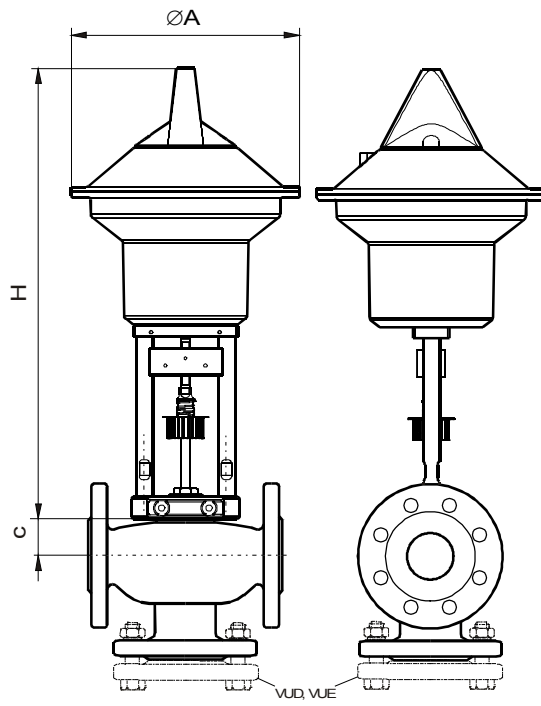
AVP 242 F021



VUD, VUE

K10434b

AVP 243/244

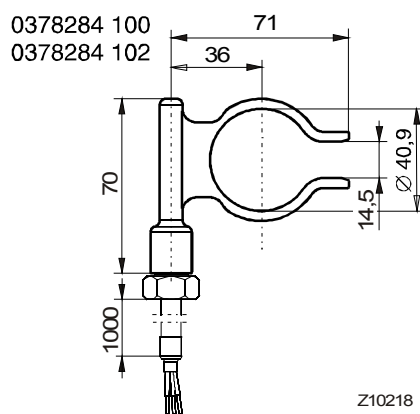
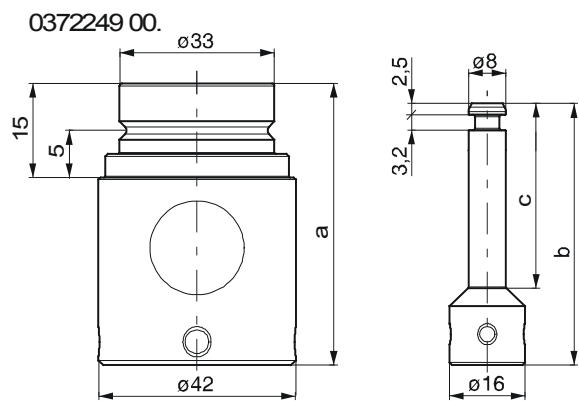


VUD, VUE

AVP ...	A	H
243 F021	250	497
243 F031	250	517
244 F021	335	536
244 F031	335	556

K10435a

Accessories



	a [mm]	b [mm]	c [mm]
0372249 001	60	55,8	40
0372249 002	80	75,8	60

Z10220

Z10218