

RVP 11: Volume-amplifying relay

Areas of application

Amplification of air volume in pneumatic control equipment.

Features

- Shortening of the running time in large-volume drives
- M4 measuring connections for input and output pressure
- Robust light-alloy housing
- Complies with directive 97/23/EC Art. 3.3 on pressure equipment

Technical description

- Supply pressure 1.3 bar \pm 0.1
- One input signal
- One output signal



T03158



Y03112

Type	Description	Air output	Air consumption	Weight kg
RVP 11 F001	air-volume amplification	7000 l _n /h	100 l _n /h	0,6
Supply pressure ¹⁾	1,3 \pm 0,1 bar	Permissible ambient temp.		0...55 °C
Input pressure	0...1.4 bar	Connection diagram		A03180
Output pressure	0...1.4 bar	Dimension drawing		M277899
Air recovery	4000 l _n /h	Fitting instructions		MV 3238

Accessories

0277299 000* Fixing bracket for wall mounting, includes screws and blanking piece R 1/8

^{*)} Dimension drawing or wiring diagram are available under the same number

¹⁾ See Section 60 on regulations concerning the quality of supply air, especially at low ambient temperatures

Operation

Rising input pressure produces rising output pressure.

Falling input pressure produces falling output pressure.

If a positioner with volume amplifier is used, see Technical Manual *Valves and drives* (7 000477 003)

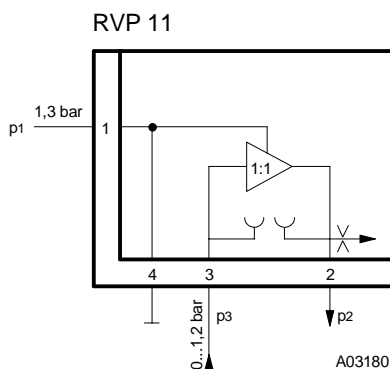
Section 8.

Technical information

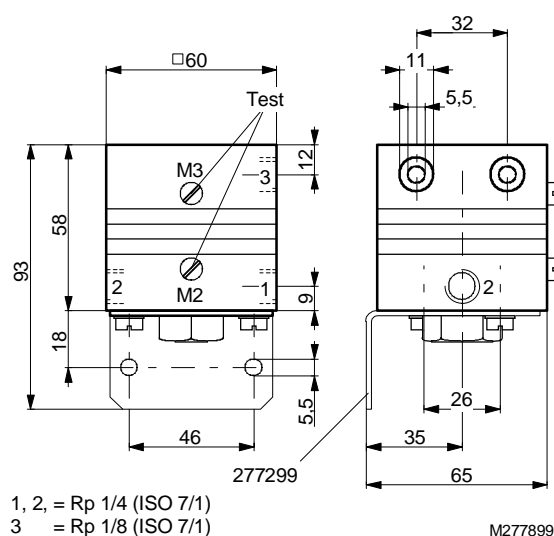
The technical manual *Valves and drives*

provides information on parameters, installation guides, control, pneumatic valves and drives, plus general information. 7 000477 003

Connection diagrams

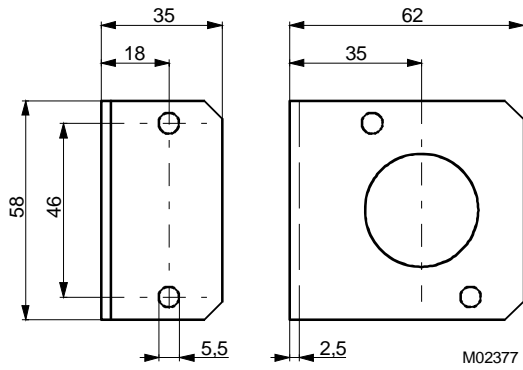


Dimension drawing



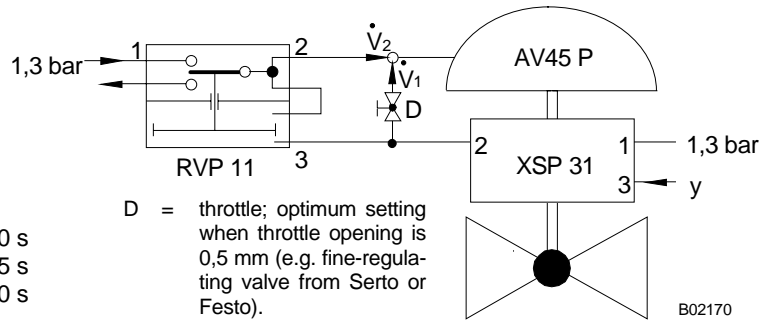
Accessories

277299



Example of use

RVP 11 volume amplifier with XSP 31 to increase the positioning speed of an AV45 P.



Running times for AV45 P10 and P15:
 with *centair*... approx. 90 s
 with XSP 31... approx. 45 s
 with XSP 31 and RVP 11... approx. 10 s